

PRODUCT TECHNICAL SHEET

Collection : **PILE & FACE**

Ref. : **4012.11.45**

Batterie de lavabo 3 trous avec vidage
3-gats wastafelmengkraan met lediging
3-hole washbasin mixer with waste

Picture

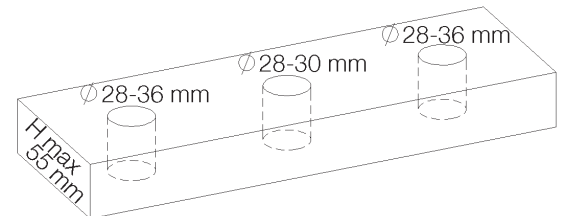
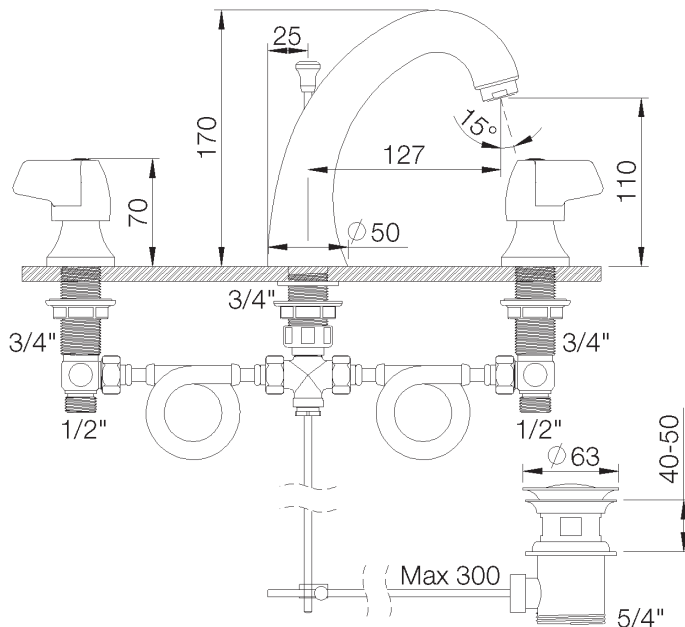
Product details



Flow at 3 bar : Restricted 7,5 l/min

Internal mechanism : Ceramic valve 1/4 turn

Technical drawing



RA0.V01